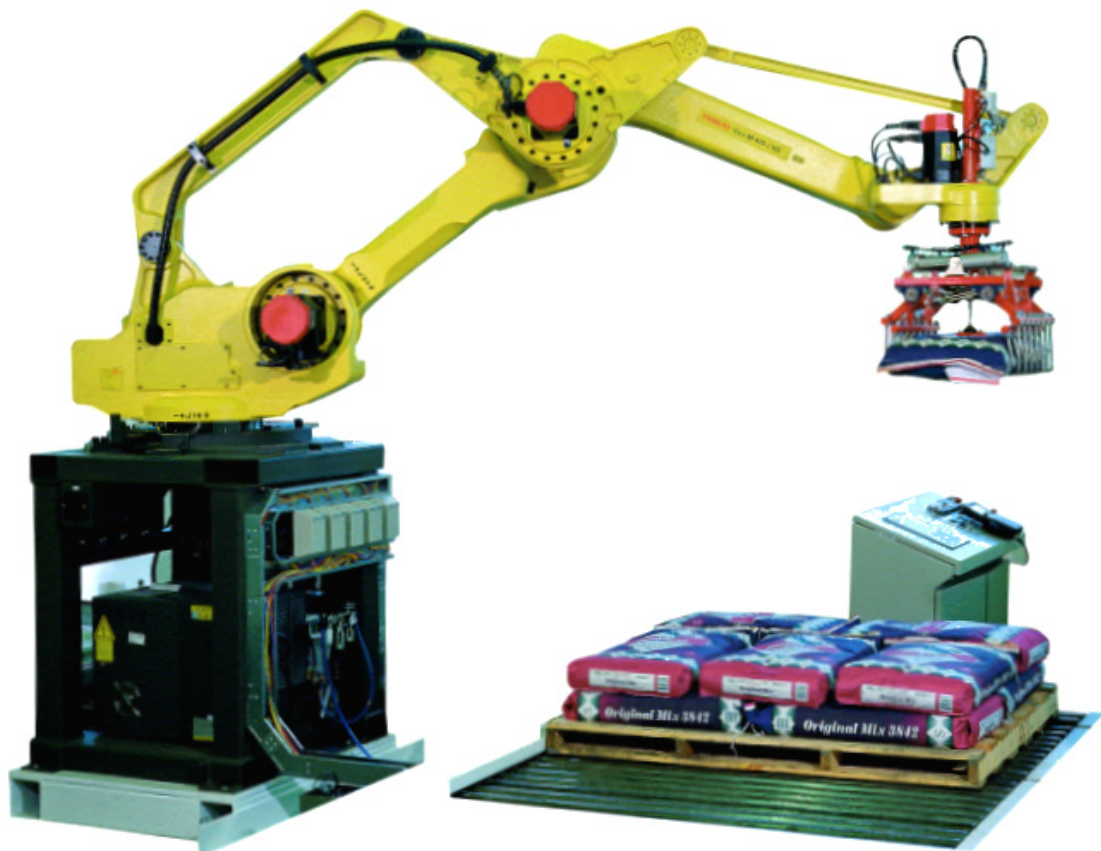


PACEPACKER SERVICES

Automation with imagination....



ROBOTIC PALLETISER

AFFORDABLE AND RELIABLE AUTOMATIC PALLETISING SYSTEMS FOR BAGS, BOXES, CRATES, TRAYS..... THE LIST IS ENDLESS.

PACEPACKER

Operation

Robust Fanuc robots are at the core of these versatile systems. Filled sacks enter a palletising cell, flattened if required and then picked from a special conveyor to be stacked in any configuration you choose. The filled pallet can then be removed from the cell with a forklift truck via Light Activated Entry Guards or discharged on an automatic takeaway roller system for storage or removal

Some of the Available Options

Single Pallet Static Cell	Dual Pallet Static Cell
Single Pallet Take-away roller	Multi-Pallet Take-away roller (with Pallet Dispenser)
Single Gripper Robot Hand	
Triple Gripper Robot Hand	Half size Robot for tight spaces (pallet height limitations)
Double Gripper Robot Hand	

Control System

The Robot Cell control system utilises the latest PLC technology. It incorporates a very user friendly, colour operator interface (HMI Screen) which has a clear display and powerful new features. These include all functions needed to operate the system providing unlimited palletising programmes which can be pre-set for various bag types and sizes. Other features include an ASI communication system and Modem option for remote diagnostics or editing.

Packing Speeds

Packing speeds depend on many factors such as product stability, number of gripper sections (up to three available) and cell layout. Typical speed for an optimised single gripper system is 960 bags per hour or 16 bags per minute. with 24-bags minute possible with triple gripper units.

Safety Requirements

All systems are supplied with approved safety fencing with at least one access gate, Smartscan entry guards and a safety key lock system, preventing operation with the gate open.

Sack and Pallet Specification

All sack sizes can be palletised, depending on pallet overlap and overhang requirements. All pallet sizes can be used as long as they are of consistent size and quality.

Planning In

All robot systems are designed for the space and environment they are to be used in. As well as speed and product requirements there are safety aspects to be considered. Potential systems require a full site survey and careful planning to provide the perfect solution to the customers needs. Pacepacker Services are Experts in palletising and have extensive knowledge of this specialised field.

Electrical Requirements

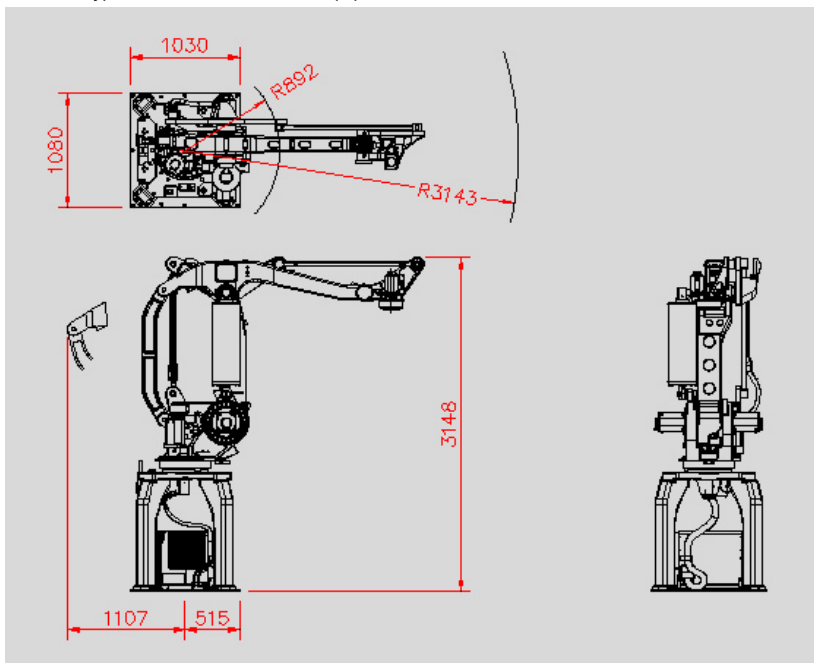
Standard: 415V, 50/60 Hertz 3 Phase + neutral, 25 Amp Supply, alternatives can be accommodated.

Air Requirements

Cool, clean, dry air at 6 bar (90 PSI) at 13Litres (0.5 CuFt) per cycle. I.e. 7.5cfm at 15 sacks minute. 20mm (3/4") supply pipe minimum.



Typical Dimensions Shown, Equipment Manufactured To Suit Each Installation.



Pacepacker Services Limited

Unit 16 Bluegate Hall,
Great Bardfield,
Essex, CM7 4PZ.
England.

Tel: +44 (0) 1371 811544
Fax: +44 (0) 1371 811621

www.pacepackerservices.com