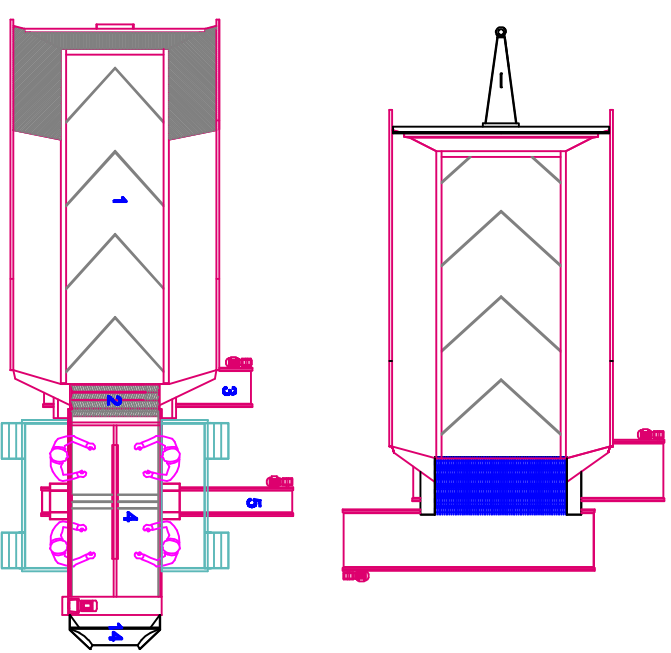
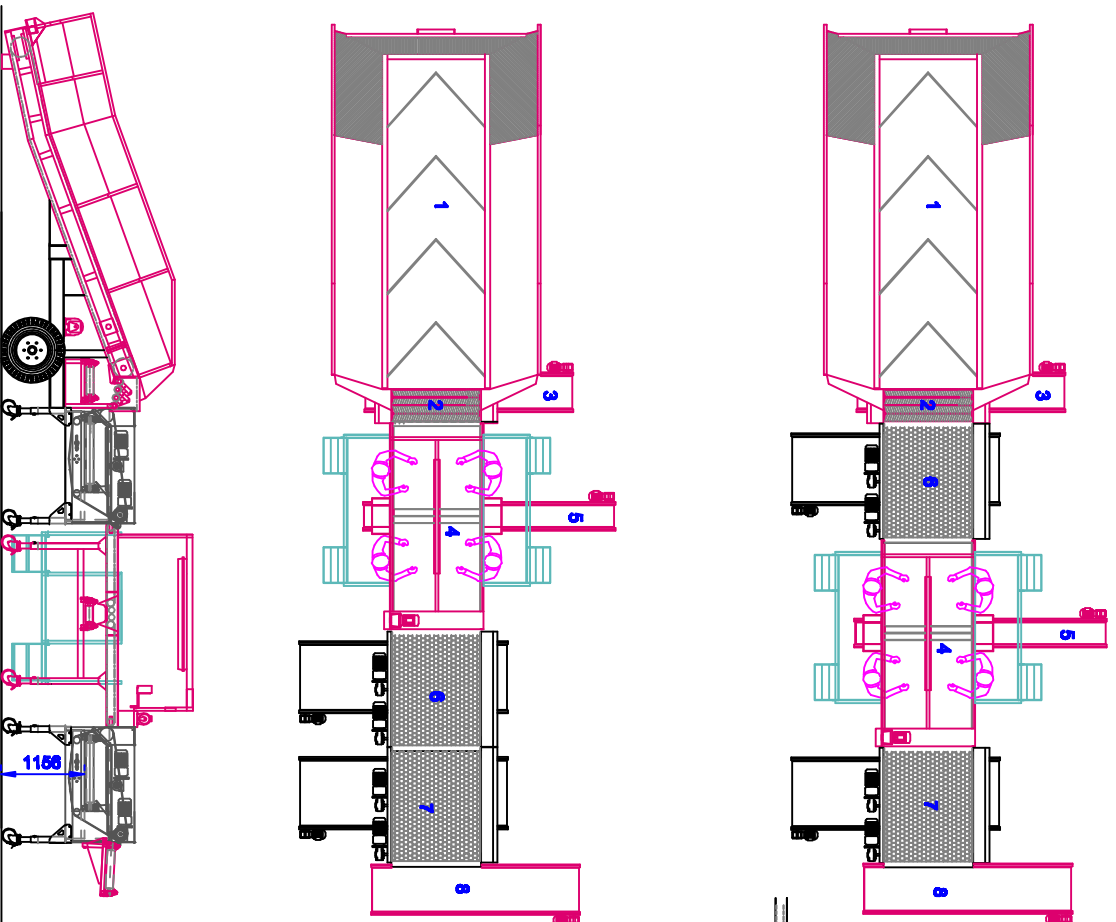


TongPeal avlastarbord och mobila sorteringslinjer.
 Konfigureras och anpassas efter önskemål.
 Arbetsbredd 90, 120, 150, 180 och 240 cm
 Många alternativ för jordfrånskiljning.
 Easy grade nätsortare.
 Allt på ett chassi eller som enskilda enheter.
 Lådfyllare direkt under utfoppsband



Customer: **BO ADOLFSSON**

Rep: **Barry Ledger**

Drawn: **BA/AS**

Date: **081110**

TONG-PEAL ENGINEERING
 ASHBY ROAD, SPUSBY, LINGS PE23 6DW
 TEL: 01790 752771 FAX: 01790 753611
 Email: andy@tongpeal.com or kevin@tongpeal.com

Scale: **DNS**
 Dirg No.: **081110-1**
 Issue: *****

THIS DRAWING IS FOR SALES INFORMATION PURPOSES ONLY AND SHOULD NOT BE USED FOR PRODUCTION
 Dimensions are subject to alterations during the production of this machine or system

THIS DRAWING IS THE PROPERTY OF TONG-PEAL ENGINEERING AND MUST NOT BE REPRODUCED OR COPIED IN ANY FORM WITHOUT WRITTEN PERMISSION. THIS INSTALLATION CAN ONLY BE GUARANTEED IF THE EQUIPMENT IS SUPPLIED BY TONG-PEAL ENGINEERING