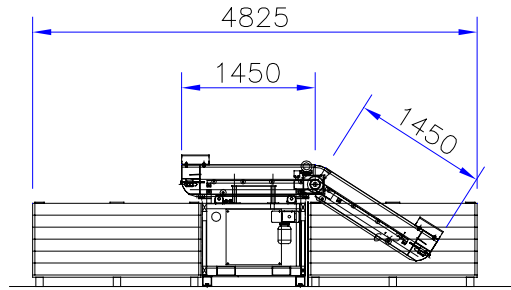


TWIN BOX FILLER RANGE

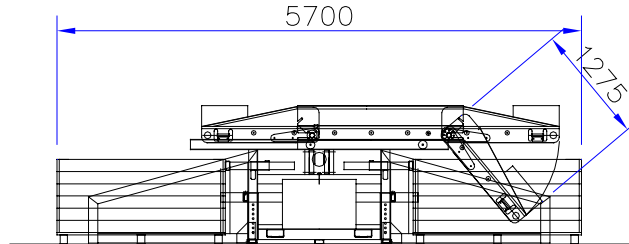
Micro/Compact-Fill

For up to 1000mm high boxes
To feed from a 900mm wide belt



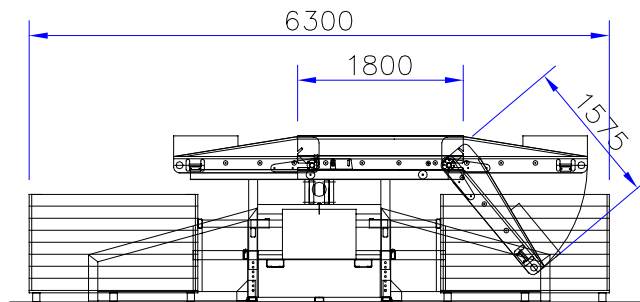
Mini-Fill

For up to 1000mm high boxes
To feed from a 900mm wide belt



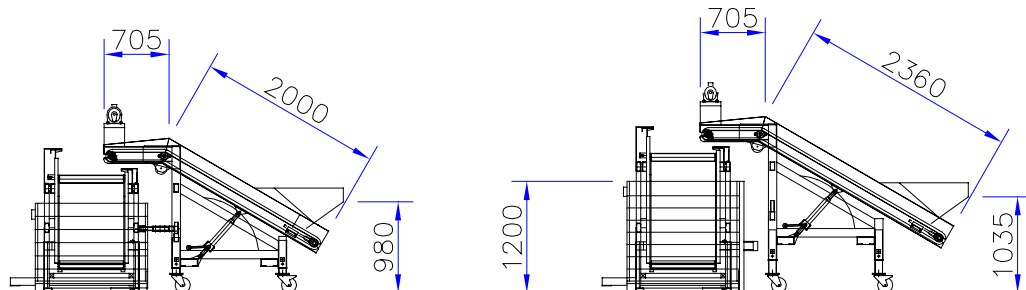
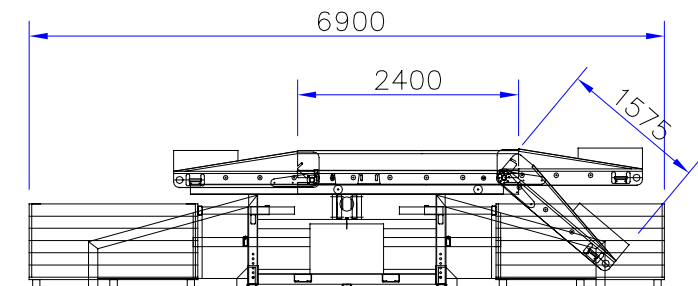
Midi-Fill

For 1000mm-1200mm high boxes
To feed from a 1200mm wide belt



Maxi-Fill

For 900mm-1100mm high boxes
To feed from an 1800mm wide belt



Box Filler with Feed Elevator

Box Fill 9.05

TONG ENGINEERING LTD

Ashby Road, Spilsby, Lincolnshire, PE23 5DW

Tel: 0044(0) 1790 752771 Fax: 0044(0) 1790 753611

Email: sales@tongpeal.com www.tongeng.co.uk

**tong
PEAL**

'Easy-Fill' Box Fillers



- High output – up to 40 tonnes per hour
- Unique one piece feed conveyor gives 'no-drop' transfer from conveyor directly and gently into the box



- Boxes remain static during filling – no hydraulic lifting – for increased safety
- Available for box heights from 900mm to 1200mm high
- Box weighing platforms available

Engineering solutions for increased productivity